

Bravura®

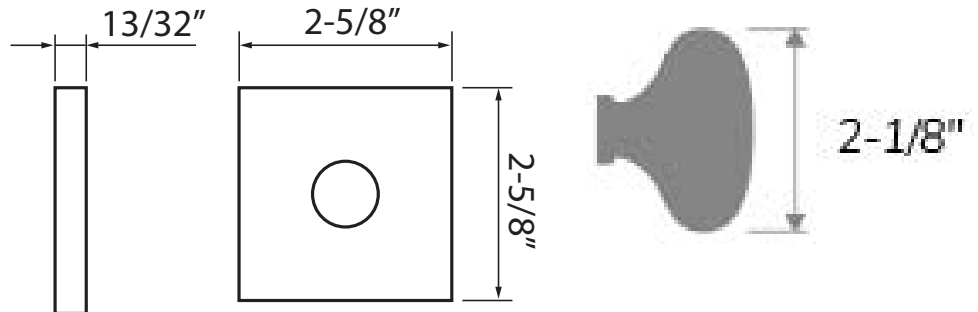
Specifications:

Door Prep	Cross bore: 2-1/8" Edge bore: 1" Latch Face: 1" x 2-1/4"	Latches	2-3/8" Standard and 2-3/4" Optional Faceplate: 1" x 2-1/4" round corner Bolt: 1/2" Solid Brass throw Drive-in or UL Available
Backset	2-3/8" Standard and 2-3/4" Optional	Strikes	Supplied with full lip round corner (9103) and square corner strikes (9102)
Door Thickness	1-3/8" ~ 2", 2-1/4" & 2-1/2" Extension Kits Available		

906-7 MACON

Shown in Satin Nickel
with Square Trim

-7 SQUARE



Function	Finish	CTN Qty	Item No.
Passage	Oil Rubbed Bronze (US10B)	12	BV906-702
	Satin Nickel (US15)	12	BV906-701
	Black (US19)	12	BV906-705
	Polished Chrome (US26)	12	BV906-703
Privacy	Oil Rubbed Bronze (US10B)	12	BV906-712
	Satin Nickel (US15)	12	BV906-711
	Black (US19)	12	BV906-715
	Polished Chrome (US26)	12	BV906-713
Dummy	Oil Rubbed Bronze (US10B)	12	BV906-722
	Satin Nickel (US15)	12	BV906-721
	Black (US19)	12	BV906-725
	Polished Chrome (US26)	12	BV906-723