

Bravura®

Specifications:

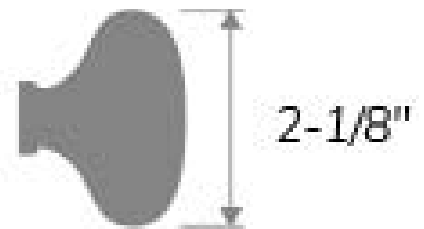
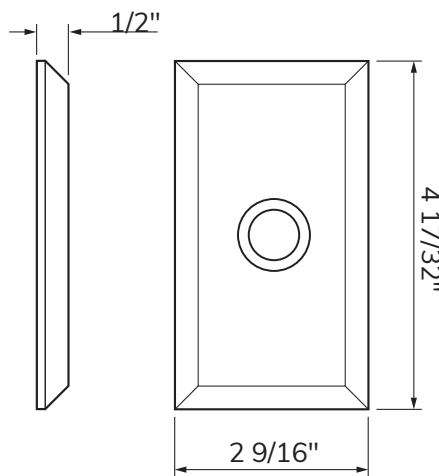
Door Prep	Cross bore: 2-1/8" Edge bore: 1" Latch Face: 1" x 2-1/4"	Latches	2-3/8" Standard and 2-3/4" Optional Faceplate: 1" x 2-1/4" round corner Bolt: 1/2" Solid Brass throw Drive-in or UL Available
Backset	2-3/8" Standard and 2-3/4" Optional	Strikes	Supplied with full lip round corner (9103) and square corner strikes (9102)
Door Thickness	1-3/8" ~ 2", 2-1/4" & 2-1/2" Extension Kits Available		

906-G-1 MACON

Shown in Satin Nickel
with Rectangle Trim



G-1 RECTANGLE



Function	Finish	CTN Qty	Item No.
Passage	Oil Rubbed Bronze (US10B)	12	BV906073
	Satin Nickel (US15)	12	BV906072
	Black (US19)	12	BV906-105
	Polished Chrome (US26)	12	BV906-103
Privacy	Oil Rubbed Bronze (US10B)	12	BV906083
	Satin Nickel (US15)	12	BV906082
	Black (US19)	12	BV906-115
	Polished Chrome (US26)	12	BV906-113
Dummy	Oil Rubbed Bronze (US10B)	12	BV906093
	Satin Nickel (US15)	12	BV906092
	Black (US19)	12	BV906-125
	Polished Chrome (US26)	12	BV906-123