

Bravura®

Specifications:

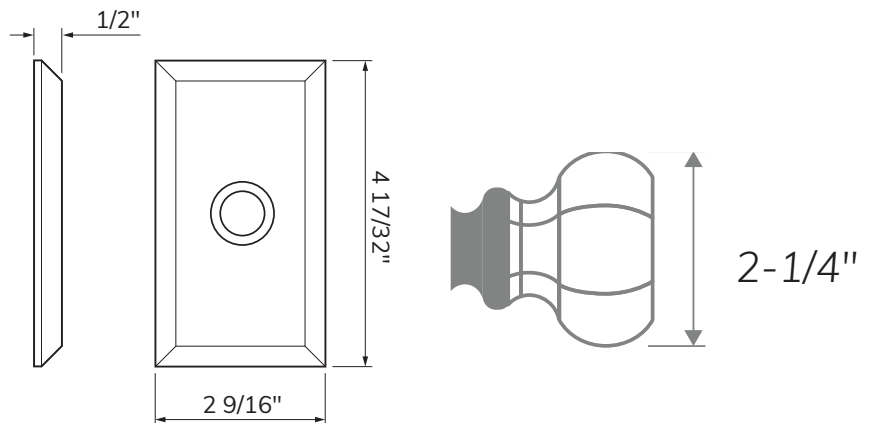
Door Prep	Cross bore: 2-1/8" Edge bore: 1" Latch Face: 1" x 2-1/4"	Latches	2-3/8" Standard and 2-3/4" Optional Faceplate: 1" x 2-1/4" round corner Bolt: 1/2" Solid Brass throw Drive-in or UL Available
Backset	2-3/8" Standard and 2-3/4" Optional	Strikes	Supplied with full lip round corner (9103) and square corner strikes (9102)
Door Thickness	1-3/8" ~ 2", 2-1/4" & 2-1/2" Extension Kits Available		

925-G-1 BANCROFT

Shown in Satin Nickel
with Rectangle Trim



G-1 RECTANGLE



Function	Finish	CTN Qty	Item No.
Passage	Oil Rubbed Bronze (US10B)	12	BV925-152
	Satin Nickel (US15)	12	BV925-151
	Black (US19)	12	BV925-155
	Polished Chrome (US26)	12	BV925-153
Privacy	Oil Rubbed Bronze (US10B)	12	BV925-162
	Satin Nickel (US15)	12	BV925-161
	Black (US19)	12	BV925-165
	Polished Chrome (US26)	12	BV925-163
Dummy	Oil Rubbed Bronze (US10B)	12	BV925-122
	Satin Nickel (US15)	12	BV925-121
	Black (US19)	12	BV925-125
	Polished Chrome (US26)	12	BV925-123