

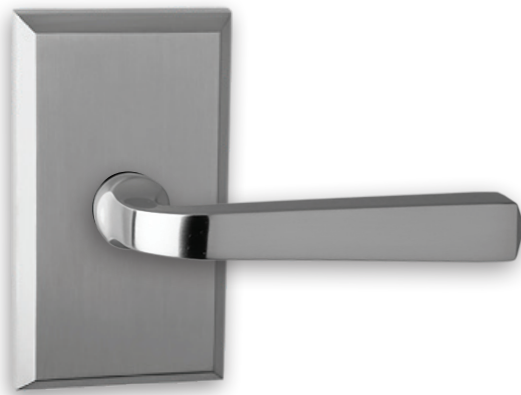
# Bravura®

## Specifications:

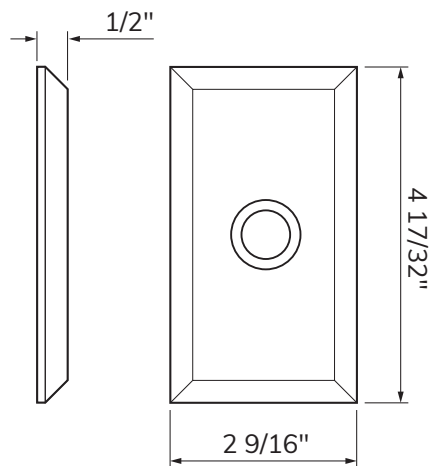
<b>Door Prep</b>	Cross bore: 2-1/8" Edge bore: 1" Latch Face: 1" x 2-1/4"	<b>Latches</b>	2-3/8" Standard and 2-3/4" Optional Faceplate: 1" x 2-1/4" round corner Bolt: 1/2" Solid Brass throw Drive-in or UL Available
<b>Backset</b>	2-3/8" Standard and 2-3/4" Optional	<b>Strikes</b>	Supplied with full lip round corner (9103) and square corner strikes (9102)
<b>Door Thickness</b>	1-3/8" ~ 2", 2-1/4" & 2-1/2" Extension Kits Available	<b>Trim Size</b>	2-5/8" diameter

### 904S-G-1 MEMPHIS

Shown in Satin Nickel  
with Rectangle Trim



### G-1 RECTANGLE



Function	Finish	CTN Qty	Item No.
Passage	Oil Rubbed Bronze (US10B)	12	BV904102
	Satin Nickel (US15)	12	BV904104
	Black (US19)	12	BV904109
Privacy	Oil Rubbed Bronze (US10B)	12	BV904115
	Satin Nickel (US15)	12	BV904114
	Black (US19)	12	BV904119
Dummy	Oil Rubbed Bronze (US10B)	12	BV904125
	Satin Nickel (US15)	12	BV904124
	Black (US19)	12	BV904129