

Bravura®

Specifications:

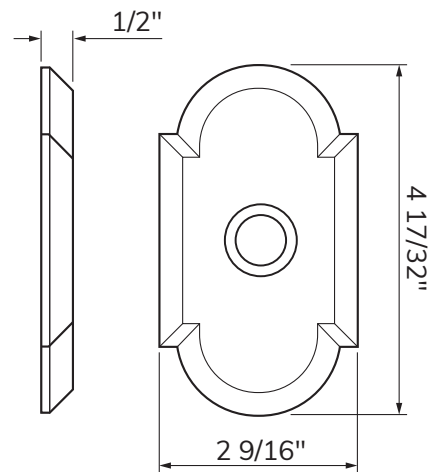
Door Prep	Cross bore: 2-1/8" Edge bore: 1" Latch Face: 1" x 2-1/4"	Latches	2-3/8" Standard and 2-3/4" Optional Faceplate: 1" x 2-1/4" round corner Bolt: 1/2" Solid Brass throw Drive-in or UL Available
Backset	2-3/8" Standard and 2-3/4" Optional	Strikes	Supplied with full lip round corner (9103) and square corner strikes (9102)
Door Thickness	1-3/8" ~ 2", 2-1/4" & 2-1/2" Extension Kits Available	Trim Size	2-5/8" diameter

904S-G-1 MEMPHIS

Shown in Satin Nickel
with Rectangle Trim



G-2 ARCHED



Function	Finish	CTN Qty	Item No.
Passage	Oil Rubbed Bronze (US10B)	12	BV904145
	Satin Nickel (US15)	12	BV904144
	Black (US19)	12	BV904149
Privacy	Oil Rubbed Bronze (US10B)	12	BV904155
	Satin Nickel (US15)	12	BV904154
	Black (US19)	12	BV904159
Dummy	Oil Rubbed Bronze (US10B)	12	BV904165
	Satin Nickel (US15)	12	BV904164
	Black (US19)	12	BV904169