

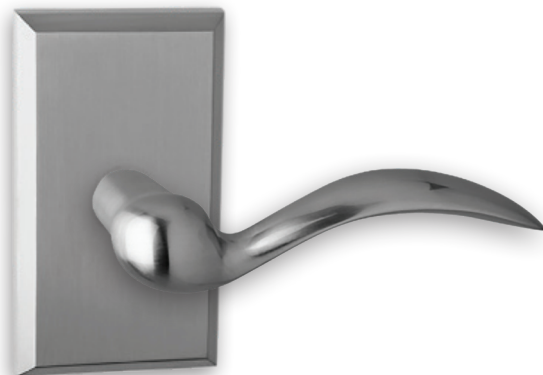
Bravura®

Specifications:

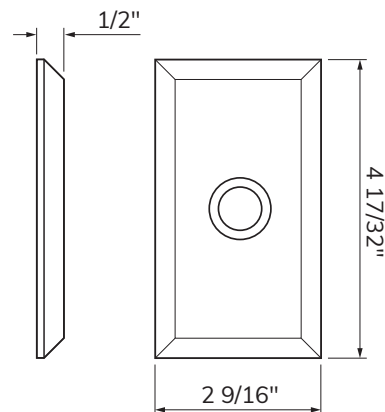
Door Prep	Cross bore: 2-1/8" Edge bore: 1" Latch Face: 1" x 2-1/4"	Latches	2-3/8" Standard and 2-3/4" Optional Faceplate: 1" x 2-1/4" round corner Bolt: 1/2" Solid Brass throw Drive-in or UL Available
Backset	2-3/8" Standard and 2-3/4" Optional	Strikes	Supplied with full lip round corner (9103) and square corner strikes (9102)
Door Thickness	1-3/8" ~ 2", 2-1/4" & 2-1/2" Extension Kits Available	Trim Size	2-5/8" diameter

909-G-1 COLUMBUS

Shown in Satin Nickel
with Rectangle Trim



G-1 RECTANGLE



Function	Finish	CTN Qty	Item No.
Passage	Oil Rubbed Bronze (US10B)	12	BV909002 (LH) BV909003 (RH)
	Satin Nickel (US15)	12	BV909000 (LH) BV909001 (RH)
	Black (US19)	12	BV909010 (LH) BV909011 (RH)
Privacy	Oil Rubbed Bronze (US10B)	12	BV909016 (LH) BV909017 (RH)
	Satin Nickel (US15)	12	BV909014 (LH) BV909015 (RH)
	Black (US19)	12	BV909018 (LH) BV909019 (RH)
Dummy	Oil Rubbed Bronze (US10B)	12	BV909030 (LH) BV909031 (RH)
	Satin Nickel (US15)	12	BV909028 (LH) BV909029 (RH)
	Black (US19)	12	BV909038 (LH) BV909039 (RH)