

# Bravura®

## Specifications:

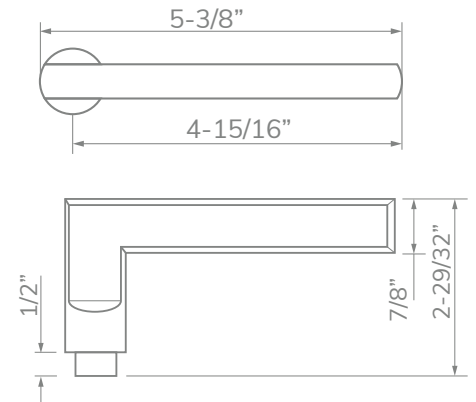
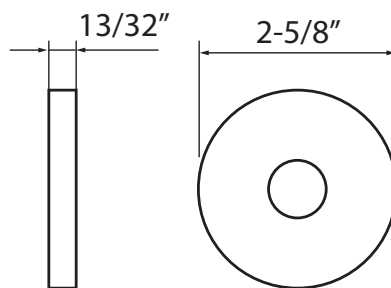
<b>Door Prep</b>	Cross bore: 2-1/8" Edge bore: 1" Latch Face: 1" x 2-1/4"	<b>Latches</b>	2-3/8" Standard and 2-3/4" Optional Faceplate: 1" x 2-1/4" round corner Bolt: 1/2" Solid Brass throw Drive-in or UL Available
<b>Backset</b>	2-3/8" Standard and 2-3/4" Optional	<b>Strikes</b>	Supplied with full lip round corner (9103) and square corner strikes (9102)
<b>Door Thickness</b>	1-3/8" ~ 2", 2-1/4" & 2-1/2" Extension Kits Available	<b>Trim Size</b>	2-5/8" diameter

## 939-6 CHARLOTTE

Shown in Satin Nickel  
with Round Trim



### -6 ROUND



Function	Finish	CTN Qty	Item No.
Passage	Oil Rubbed Bronze (US10B)	12	BV939-102
	Satin Nickel (US15)	12	BV939-100
	Black (US19)	12	BV939-142
	Polished Chrome (US26)	12	BV939-101
Privacy	Oil Rubbed Bronze (US10B)	12	BV939-112
	Satin Nickel (US15)	12	BV939-110
	Black (US19)	12	BV939-143
	Polished Chrome (US26)	12	BV939-111
Dummy	Oil Rubbed Bronze (US10B)	12	BV939-122
	Satin Nickel (US15)	12	BV939-120
	Black (US19)	12	BV939-144
	Polished Chrome (US26)	12	BV939-121