

Bravura®

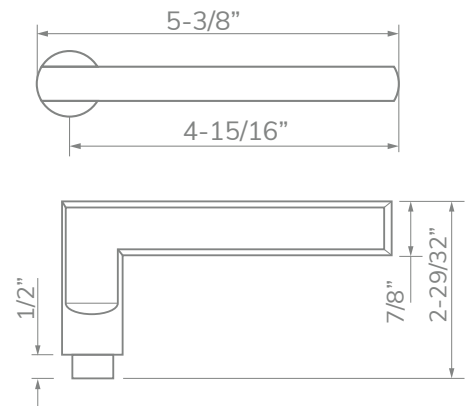
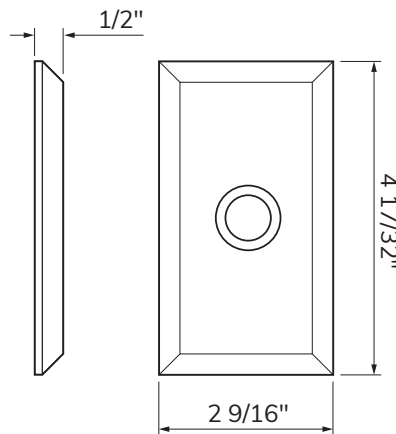
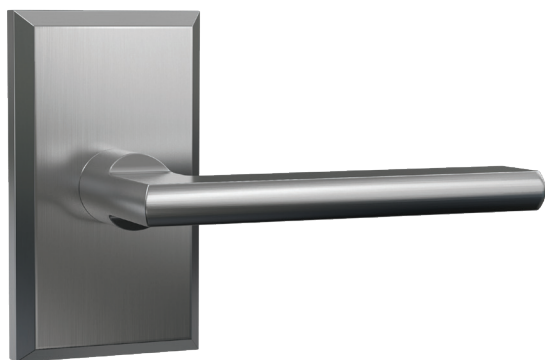
Specifications:

Door Prep	Cross bore: 2-1/8" Edge bore: 1" Latch Face: 1" x 2-1/4"	Latches	2-3/8" Standard and 2-3/4" Optional Faceplate: 1" x 2-1/4" round corner Bolt: 1/2" Solid Brass throw Drive-in or UL Available
Backset	2-3/8" Standard and 2-3/4" Optional	Strikes	Supplied with full lip round corner (9103) and square corner strikes (9102)
Door Thickness	1-3/8" ~ 2", 2-1/4" & 2-1/2" Extension Kits Available	Trim Size	2-5/8" diameter

939-G-1 CHARLOTTE

Shown in Satin Nickel
with Rectangle Trim

G-1 RECTANGLE



Function	Finish	CTN Qty	Item No.
Passage	Oil Rubbed Bronze (US10B)	12	BV939-104
	Satin Nickel (US15)	12	BV939-105
	Black (US19)	12	BV939020
	Satin Brass (US4)	12	BV939017
	Polished Chrome (US26)	12	BV939103
Privacy	Oil Rubbed Bronze (US10B)	12	BV939-114
	Satin Nickel (US15)	12	BV939-115
	Black (US19)	12	BV939025
	Satin Brass (US4)	12	BV939027
	Polished Chrome (US26)	12	BV939113
Dummy	Oil Rubbed Bronze (US10B)	12	BV939-124
	Satin Nickel (US15)	12	BV939-125
	Black (US19)	12	BV939115
	Satin Brass (US4)	12	BV939117
	Polished Chrome (US26)	12	BV939123