

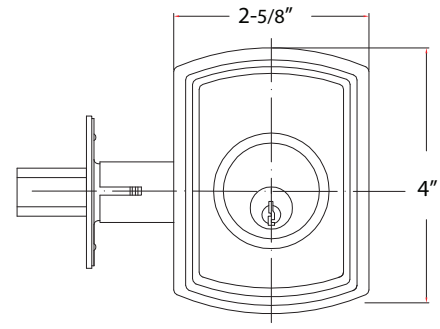
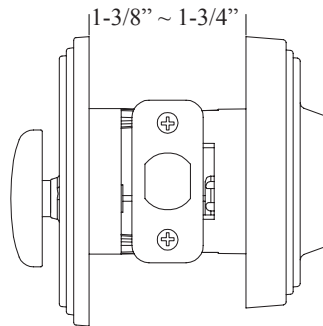
CALLAN®

Specifications

Door Prep	Cross bore: 2-1/8" Edge bore: 1" Latch face: 1" x 2-1/4"	Latches	Deadbolt: 2-3/8" & 2-3/4" adjustable (C9092 R/S) Faceplate: 1" x 2-1/4" Rd. & Sq. corner Bolt: 1" throw with hardened steel rod
Backset	Fits 2-3/8" and 2-3/4"	Strikes	2-1/4" full lip Rd. & Sq. corner (9118 R&S) Includes Reinforcement Strike.
Door Thickness	1-3/8" ~ 1-3/4" door standard, 2-1/4" Ext. Kit available	Wood Screws	Combination screws that suit both wood or metal door mounting Includes 3" Security Screws
Cylinder	SC1 5-pin standard; KW1 5-pin optional Deadbolts packed KA5	Features	Protective collar High Security Strike Plate Interlocking installation guides Reinforced spring assembly

SQUARE DEADBOLT

Shown in Satin Nickel



BOX PACK

Model	Function	WT/CTN	CTN QTY	US15 Satin Nickel			US10BE Edged Bronze	US19 Black
				Item No.	372001	372007	372004	
200S	Single Cylinder	21 lb	10 Pcs	List Price	\$69	\$69	\$69	