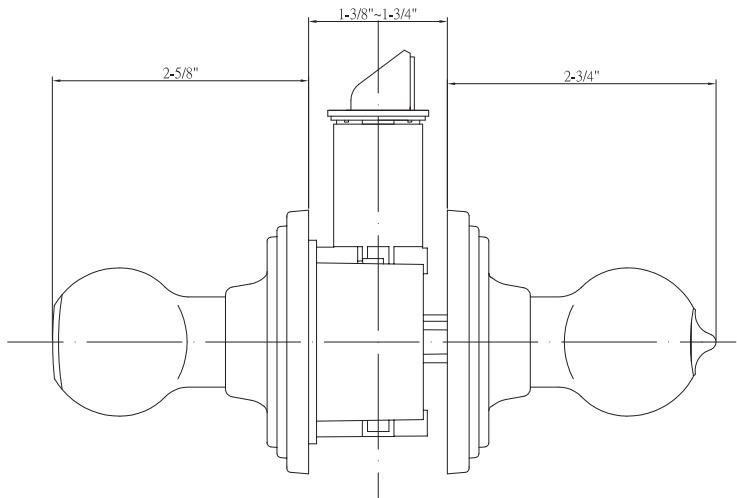


# CALLAN®

<b>Latches (For Round Trim)</b>	Entrance: 2-3/8" and 2-3/4" adjustable (9073) Passage/Privacy: 2-3/8" & 2-3/4" adjustable (9074) Faceplate: 1" x 2-1/4" round corner Bolt: 1/2" throw	<b>Latches (For Square Trim)</b>	Entrance: 2-3/8" and 2-3/4" adjustable (C9060 R/S) Passage/Privacy: 2-3/8" and 2-3/4" adj. (C9064 R/S) Faceplate: 1" x 2-1/4" Rd. and Sq. corner Bolt: 1/2" throw
<b>Cylinder (For Round Trim)</b>	For Round Trim Knobs - KW1 5-pin standard; SC1 5-pin optional / Entries packed KA5	<b>Cylinder (For Square Trim)</b>	For Square Trim Knobs - SC1 5-pin standard; KW1 5-pin optional / Entries packed KA5
<b>Door Thickness</b>	1-3/8" ~ 1-3/4" door standard 2-1/4" Ext. Kit available	<b>Backset</b>	Fits 2-3/8" and 2-3/4"
<b>Wood Screws</b>	Combination screws that suit both wood or metal door mounting	<b>Strikes</b>	Round - 1-3/4" x 2-1/4" full lip round corner (9103) Square - 1-3/4" x 2-1/4" full lip Rd. and Sq. corner (9103 & 9102)
<b>Door Prep</b>	Cross bore: 2-1/8" / Edge bore: 1"   Latch face: 1" x 2-1/4"		

## CANOVA

Shown in Satin Nickel



## BOX PACK

Model	Function	WT/CTN	CTN QTY		US15 Satin Nickel	US10BE Edged Bronze	US19 Black
100T-CN*	Entrance	25 lb	10 Pcs	Item No.	360501	360507	360504
101T-CN	Passage	20 lb	10 Pcs	Item No.	364501	364507	364504
102T-CN	Privacy	21 lb	10 Pcs	Item No.	362501	362507	362504
115-CN	Dummy	17 lb	20 Pcs	Item No.	365501	365507	365504

\* Standard SC1 5-pin Cylinder