

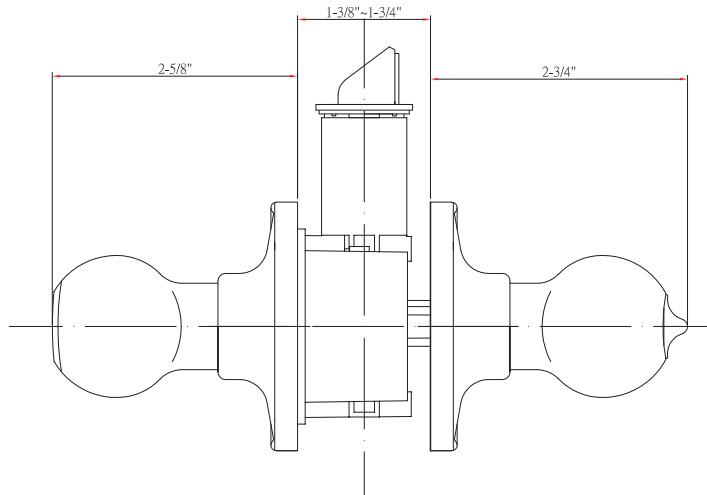
CALLAN®

Specifications

Door Prep	Cross bore: 2-1/8" Edge bore: 1" Latch face: 1" x 2-1/4"	Latches	Entrance: 2-3/8" and 2-3/4" adjustable (C9060 R/S) Passage/Privacy: 2-3/8" and 2-3/4" adjustable (C9064 R/S) Faceplate: 1" x 2-1/4" Rd. and Sq. corner Bolt: 1/2" throw
Backset	Fits 2-3/8" and 2-3/4"	Strikes	1-3/4" x 2-1/4" full lip Rd. and Sq. corner (9103 and 9102). Includes Reinforcement Plate
Door Thickness	1-3/8" ~ 1-3/4" door standard 2-1/4" Ext. Kit available for Pass/Priv only	Wood Screws	Combination screws that suit both wood or metal door mounting. Includes 1-1/2" Security Screws
Cylinder	SC1 5-pin standard ; KW1 5-pin optional Entries packed KA5	Grade 2 Features	Full protection collar, Interlocking installation guides, Reinforced spring assembly

EDGEWOOD GRADE 2

Shown in Oil Rubbed Bronze Edged



BOX PACK

Model	Function	WT/LB	CTN QTY		US15 Satin Nickel	US10BE Edged Bronze
100T-CA-G2	Entrance	14 lb	10 Pcs	Item No.	G2KE1001	G2KE1007
101T-CA-G2	Passage	14 lb	10 Pcs	Item No.	G2KE1011	G2KE1017
102T-CA-G2	Privacy	14 lb	10 Pcs	Item No.	G2KE1021	G2KE1027
115-CA	Dummy	9 lb	20 Pcs	Item No.	KE1051	KE1057

VISUAL BOX PACK

Model	Function	WT/CTN	CTN QTY		US10BE Edged Bronze
VB-100T-CA-G2	Entrance	23 lb	10 Pcs	Item No.	VBG2KE1007
VB-101T-CA-G2	Passage	23 lb	10 Pcs	Item No.	VBG2KE1017
VB-102T-CA-G2	Privacy	24 lb	10 Pcs	Item No.	VBG2KE1027
VB-115-CA	Dummy (Pair)	24 lb	10 Pcs	Item No.	VBG2KE1057