

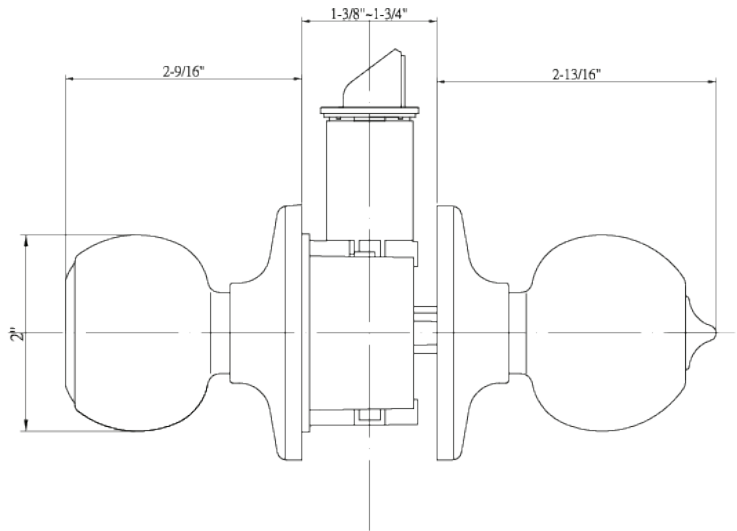
CALLAN®

Specifications

Door Prep	Cross bore: 2-1/8" Edge bore: 1" Latch face: 1" x 2-1/4"	Latches	Entrance: 2-3/8" and 2-3/4" adjustable (C9060 R/S) Passage/Privacy: 2-3/8" and 2-3/4" adjustable (C9064 R/S) Faceplate: 1" x 2-1/4" Rd. and Sq. corner Bolt: 1/2" throw
Backset	Fits 2-3/8" and 2-3/4"	Strikes	1-3/4" x 2-1/4" full lip Rd. and Sq. corner (9103 and 9102). Includes Reinforcement Plate
Door Thickness	1-3/8" ~ 1-3/4" door standard 2-1/4" Ext. Kit available for Pass/Priv only	Wood Screws	Combination screws that suit both wood or metal door mounting. Includes 1-1/2" Security Screws
Cylinder	SC1 5-pin standard ; KW1 5-pin optional Entries packed KA5	Grade 2 Features	Full protection collar, Interlocking installation guides, Reinforced spring assembly

ROLAND GRADE 2

Shown in Satin Nickel



BOX PACKAGING

Model	Function	WT/LB	CTN QTY	US15 Satin Nickel	
100T-FD	Entrance	27 Lbs	20 Pcs	Item No.	KR1001
101T-FD	Passage	22 Lbs	20 Pcs	Item No.	KR1011
102T-FD	Privacy	22 Lbs	20 Pcs	Item No.	KR1021
115-FD	Dummy	9 Lbs	20 Pcs	Item No.	KR1051