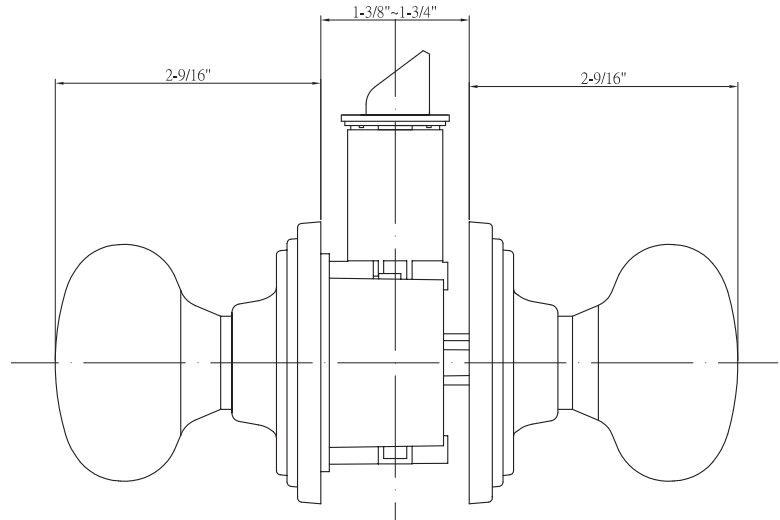


CALLAN®

Latches (For Round Trim)	Entrance: 2-3/8" and 2-3/4" adjustable (9073) Passage/Privacy: 2-3/8" & 2-3/4" adjustable (9074) Faceplate: 1" x 2-1/4" round corner Bolt: 1/2" throw	Latches (For Square Trim)	Entrance: 2-3/8" and 2-3/4" adjustable (C9060 R/S) Passage/Privacy: 2-3/8" and 2-3/4" adj. (C9064 R/S) Faceplate: 1" x 2-1/4" Rd. and Sq. corner Bolt: 1/2" throw
Cylinder (For Round Trim)	For Round Trim Knobs - KW1 5-pin standard; SC1 5-pin optional / Entries packed KA5	Cylinder (For Square Trim)	For Square Trim Knobs - SC1 5-pin standard; KW1 5-pin optional / Entries packed KA5
Door Thickness	1-3/8" ~ 1-3/4" door standard 2-1/4" Ext. Kit available	Backset	Fits 2-3/8" and 2-3/4"
Wood Screws	Combination screws that suit both wood or metal door mounting	Strikes	Round - 1-3/4" x 2-1/4" full lip round corner (9103) Square - 1-3/4" x 2-1/4" full lip Rd. and Sq. corner (9103 & 9102)
Door Prep	Cross bore: 2-1/8" / Edge bore: 1" Latch face: 1" x 2-1/4"		

SANTO

Shown in Satin Nickel



BOX PACK

Model	Function	WT/ CTN	CTN QTY		US15 Satin Nickel	US10BE Edged Bronze	US19 Black
100T-SN*	Entrance	25 lb	10 Pcs	Item No.	360601	360607	360604
101T-SN	Passage	20 lb	10 Pcs	Item No.	364601	364607	364604
102T-SN	Privacy	21 lb	10 Pcs	Item No.	362601	362607	362604
115-SN	Dummy	17 lb	20 Pcs	Item No.	365601	365607	365604

* Standard SC1 5-pin Cylinder