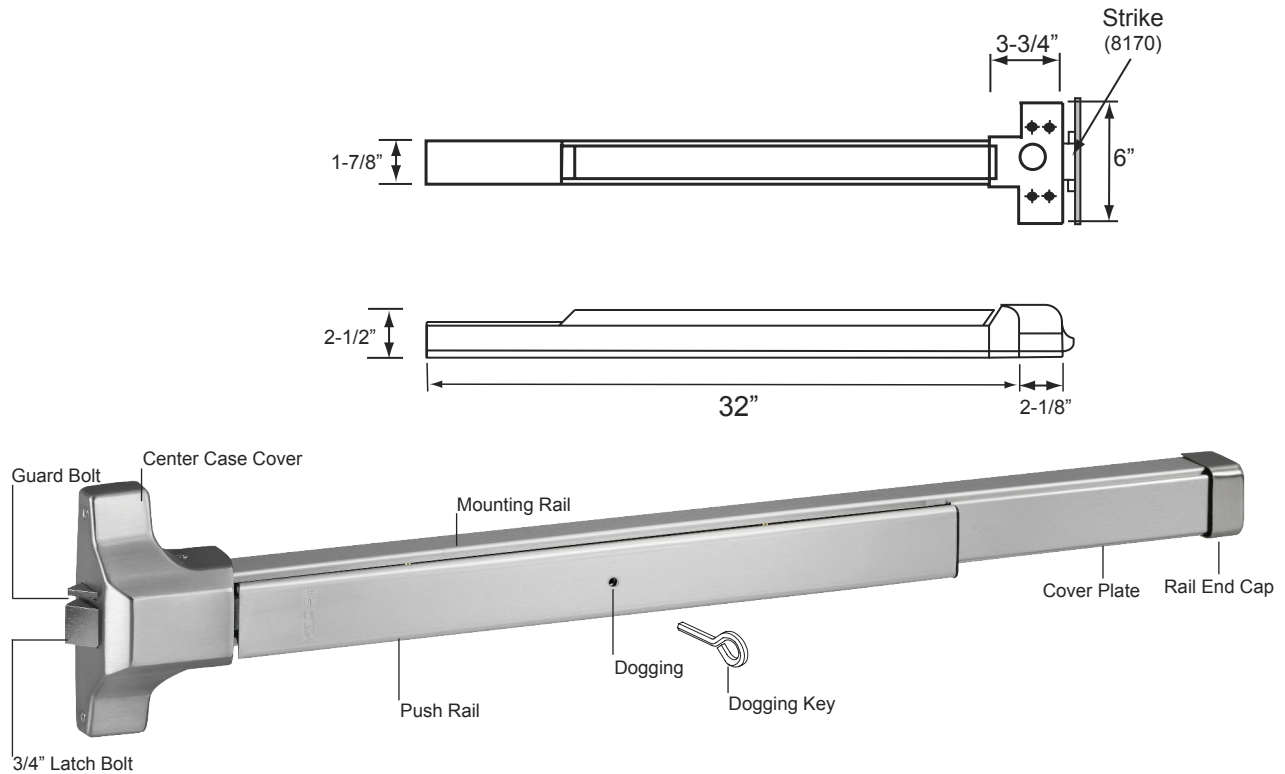


PRODUCT DATA SHEET

Product Description: 8000-36 Rim Panic Exit Hardware device used for Offices, Schools, Hospitals, Apartments, Hotel/Motels & other Public Buildings. Shown in Aluminum (US28) throughout with a zinc alloy guard bolt and center case covering.



Overall Size: 32" W x 6" H X 2-1/2" D

Finish: Aluminum (US28)

Material: Aluminum



Description:

8000-36 Rim Panic Exit Hardware

Part Number:

681300

Date

02/25

Rev.

01

Sheet 1 of 1