

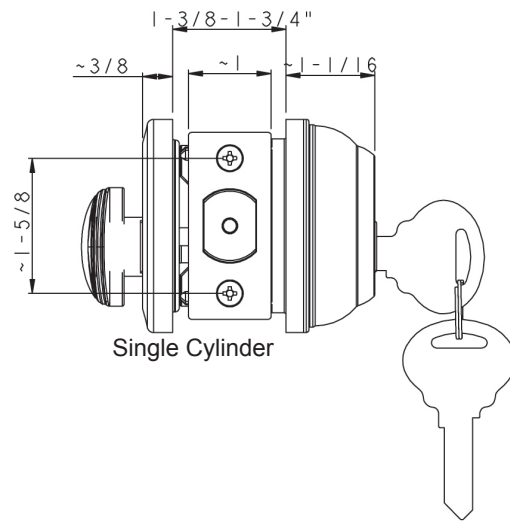


Specifications

Door Prep	Cross bore: 2-1/8" Edge bore: 1" Latch face: 1" x 2-1/4"	Latches	2-3/8" and 2-3/4" adjustable (9092 UL) Faceplate: 1" x 2-1/4" round corner Bolt: Brass with hardened steel rod. Full 1" throw
Backset	Fits 2-3/8" and 2-3/4"	Strikes	1-3/4" x 2-1/4" Rd and Sq Corner (9111 and 9117) Includes Reinforcement Strike
Door Thickness	1-3/8" ~ 1-3/4" door standard 2-1/4" Ext. Kit Available	Wood Screws	Combination screws that suit both wood or metal door mounting Includes 3" Security Screws
Cylinder	Visual Packaging- SC1 5-pin standard Box Packaging- KW1 5-pin standard Deadbolts packed KA6	Grade 2 Features in Visual Packaging	Protective Collar 3-Hr Fire Latch High Security Strike Plate Assembly

GRADE 2 TRADITIONAL DEADBOLTS

Shown in Satin Nickel



VISUAL BOX PACK

Model	Function	WT/ LB	CTN QTY	Finish Options				
				US3 Bright Brass	US15 Satin Nickel	US19 Black	US12P Tuscany Bronze	
200-LU-G2	Single Cylinder	27 lb	6 Pcs	Item No.	330603	330601	330609	330610
				List Price	\$59	\$59	\$59	\$59