

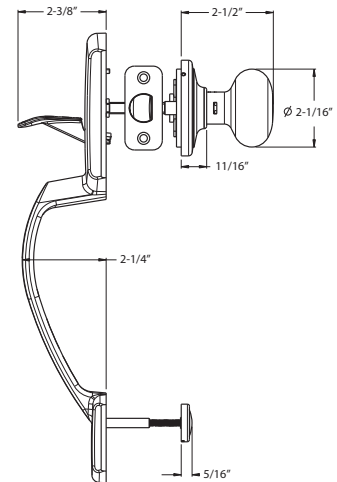
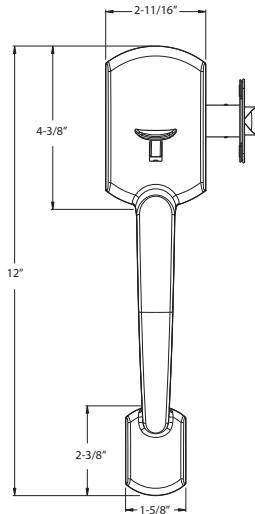
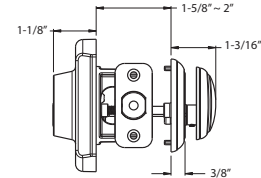
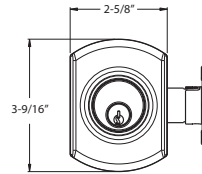


Specifications

Door Prep	Deadbolt cross bore: 2-1/8" Handleset cross bore: 2-1/8" Edge bore: 1" Latch face: 1" x 2-1/4" Mounting (center to center): 5-1/2" recommended	Strikes	Deadbolt: 2-1/4" Rd. and Sq. corner (9111 and 9117) Thumbpiece: 2-1/4" full lip round corner (9103)
		Cylinder	GR3 KW1 5-pin Standard, SC1 Optional GR2 SC1 5-pin Standard, KW1 Optional. Handlesets packed KD
Backset	Fits 2-3/8" and 2-3/4"	Door Handing	Specify handing when ordering lever as interior option
Latches	Deadbolt: 2-3/8" and 2-3/4" adjustable (9092) Faceplate: 1" x 2-1/4" round corner Bolt: Solid Brass with hardened steel rod, full 1" throw Handle: 2-3/8" and 2-3/4" adjustable (9074) (for lever and knob) Faceplate: 1" x 2-1/4" round corner Bolt: Solid Brass 1/2" throw	Door Thickness	1-3/8" ~ 1-3/4" door standard 2-1/4" Ext. Kits Available
		Wood Screws	Combination screws that suit both wood or metal door mounting. Includes 3" Security Screws

KATANA GRADE 2

Shown in Satin Nickel



VISUAL BOX PACKAGING

Model	Function	WT/ CTN	CTN QTY	US15	US26	US19	US12P	
				Satin Nickel	Polished Chrome	Black	Tuscany Bronze	
GR2 400-KA/AU	Single Cylinder	28 Lbs	4 Pcs	Item No.	340100	340102	340109	340107
				List Price	\$264	\$264	\$264	\$264
GR2 405-KA/AU	Dummy	24 Lbs	4 Pcs	Item No.	340101	340112	340119	340117
				List Price	\$256	\$256	\$256	\$256