



## Specifications

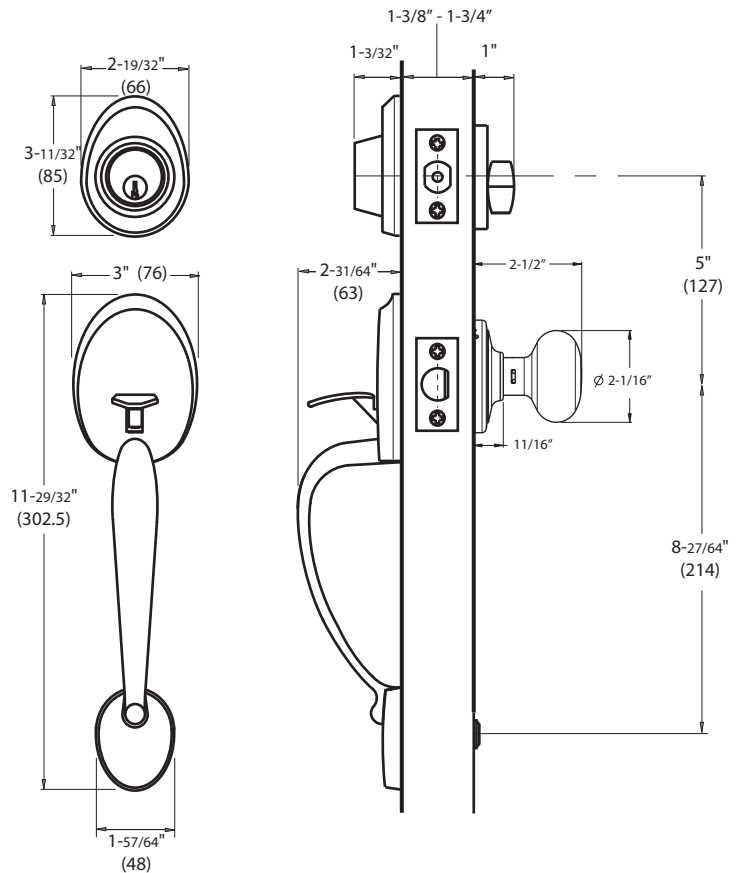
<b>Door Prep</b>	Deadbolt cross bore: 2-1/8" Handleset cross bore: 2-1/8" Edge bore: 1" Latch face: 1" x 2-1/4" Mounting (center to center): 5-1/2" recommended	<b>Strikes</b>	Deadbolt: 2-1/4" Rd. and Sq. corner (9111 and 9117) Thumbpiece: 2-1/4" full lip round corner (9103)
		<b>Cylinder</b>	GR3 KW1 5-pin Standard, SC1 Optional GR2 SC1 5-pin Standard, KW1 Optional. Handlesets packed KD
<b>Backset</b>	Fits 2-3/8" and 2-3/4"	<b>Door Handing</b>	Specify handing when ordering lever as interior option
<b>Latches</b>	Deadbolt: 2-3/8" and 2-3/4" adjustable (9092) Faceplate: 1" x 2-1/4" round corner Bolt: Solid Brass with hardened steel rod, full 1" throw Handle: 2-3/8" and 2-3/4" adjustable (9074) (for lever and knob) Faceplate: 1" x 2-1/4" round corner Bolt: Solid Brass 1/2" throw	<b>Door Thickness</b>	1-3/8" ~ 1-3/4" door standard 2-1/4" Ext. Kits Available
		<b>Wood Screws</b>	Combination screws that suit both wood or metal door mounting. Includes 3" Security Screws

## WATERFORD GRADE 2

Shown in Satin Nickel



AUBRYN



## VISUAL BOX PACKAGING

Model	Function	WT/ CTN	CTN QTY	US15 Satin Nickel	US3 Polished Brass	US19 Black	US12P Tuscany Bronze	
GR2 VB-400-WF/AU	Single Cylinder	41 Lbs	6 Pcs	Item No.	340800	340803	340809	340810
GR2 VB-405-WF/AU	Dummy	36 Lbs	6 Pcs	Item No.	340801	340813	340819	340811