

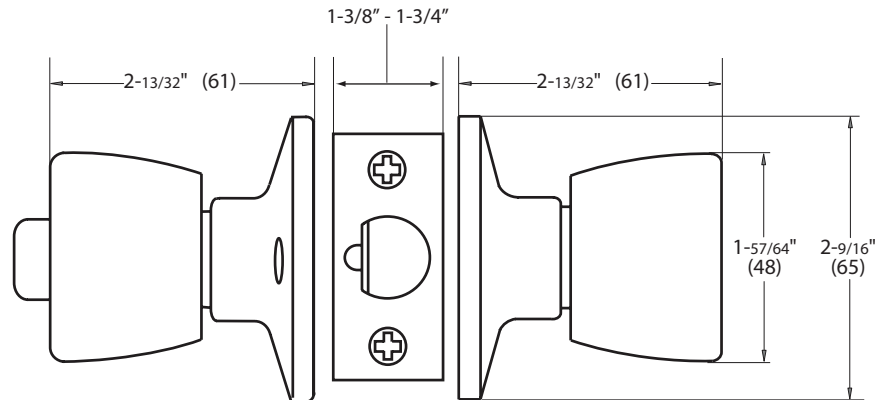


## Specifications

<b>Door Prep</b>	Cross bore: 2-1/8" Edge bore: 1" Latch face: 1" x 2-1/4"	<b>Latches</b>  (6-Way Available)	Entrance: 2-3/8" and 2-3/4" 6-way adjustable (9073) Passage/Privacy: 2-3/8" and 2-3/4" 6-way adjustable (9074) Faceplate: 1" x 2-1/4" round corner Bolt: 1/2" throw
<b>Backset</b>	Fits 2-3/8" and 2-3/4"	<b>Strikes</b>	1-3/4" x 2-1/4" full lip round corner (9103)
<b>Door Thickness</b>	1-3/8" ~ 1-3/4" door standard	<b>Wood Screws</b>	Combination screws that suit both wood or metal door mounting
<b>Cylinder</b>	KW1 5-pin <b>standard</b> SC1 5-Pin optional. Entries packed KA5		

## GALWAY

Shown in Stainless Steel



## BOX PACK

Model	Function	WT/LB	CTN QTY		US3 Polished Brass	US32D Stainless Steel
100T - GL	Entrance	27 lb	20 Pcs	Item No.	D11523	D11522
101T - GL	Passage	22 lb	20 Pcs	Item No.	D14523	D14522
102T - GL	Privacy	22 lb	20 Pcs	Item No.	D12523	D12522
115 - GL	Dummy	9 lb	20 Pcs	Item No.	D15523	D15522
300T - GL	Combo	52 lb	20 Pcs	Item No.	—	D18522