




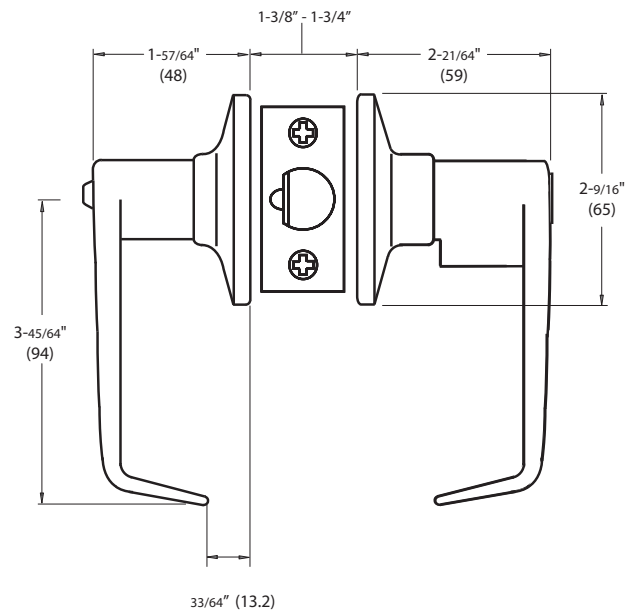
Specifications

Door Prep	Cross bore: 2-1/8" Edge bore: 1" Latch face: 1" x 2-1/4"	Latches (6-Way Available)	Entrance: 2-3/8" and 2-3/4" 6-way adjustable (9045R) Passage/Privacy: 2-3/8" and 2-3/4" 6-way adjustable (9074) Faceplate: 1" x 2-1/4" round corner Bolt: 1/2" throw
Backset	Fits 2-3/8" and 2-3/4"	Strikes	1-3/4" x 2-1/4" full lip round corner (9103)
Door Thickness	1-3/8" ~ 1-3/4" door standard	Wood Screws	Combination screws that suit both wood or metal door mounting
Cylinder	KW1 5-pin standard SC1 5-Pin optional. Entries packed KA5	Door Handing	Reversible Lever

ET LEVER

Shown in Satin Nickel

 ADA Compliant
Panic Proof Function



BOX PACK

Model	Function	WT/CTN	CTN QTY	Item No.	US15 Satin Nickel
500T - ET	Push Button Entrance (Panic Proof)	26 lb	20 Pcs	Item No.	D20320P
504T - ET	Storeroom	26 lb	20 Pcs	Item No.	D26320
501T - ET	Passage	23 lb	20 Pcs	Item No.	D24320
502TP - ET	Push Button Privacy (Panic Proof)	24 lb	20 Pcs	Item No.	D22320P
515 - ET	Dummy	15 lb	20 Pcs	Item No.	D25320

1.800.952.4430 | orders@delaneyhardware.com | delaneyhardware.com