

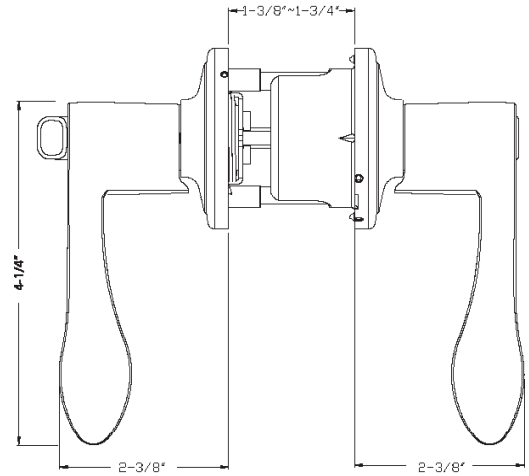


Specifications

Door Prep	Cross bore: 2-1/8" Edge bore: 1" Latch face: 1" x 2-1/4"	Latches	Entrance: 2-3/8" and 2-3/4" 6-way adjustable Passage/Privacy: 2-3/8" and 2-3/4" 6-way adjustable Faceplate: 1" x 2-1/4" round corner Bolt: 1/2" throw
Backset	Fits 2-3/8" and 2-3/4"	Strikes	1-3/4" x 2-1/4" full lip round corner (9103)
Door Thickness	1-3/8" ~ 1-3/4" door standard	Wood Screws	Combination screws that suit both wood or metal door mounting
Cylinder	SC1 5-pin standard. Entries packed KA4 KW1 5-pin optional	Grade 2 Features	Concealed screws, Panic Proof, UL Rated, Full Protection Collar (as shown in line drawing)
Door Handing	Reversible Lever Handing required for dummy function and Handleset interior		

LASHBROOK

Shown in Satin Nickel



VISUAL BOX PACK

Model	Function	WT/CTN	CTN QTY		US15 Satin Nickel	US19 Black	US12P Tuscany Bronze
500TT-LB-G2	Entrance	24 lb	12 Pcs	Item No.	320820	320829	320827
501TT-LB-G2	Passage	22 lb	12 Pcs	Item No.	324820	324829	324827
502TT-LB-G2	Privacy	22 lb	12 Pcs	Item No.	322820	322829	322827
515TT-LB-G2	Dummy (Pair)	21 lb	12 Pair	Item No.	325820	325829	325827

1.800.952.4430 | orders@delaneyhardware.com | delaneyhardware.com