

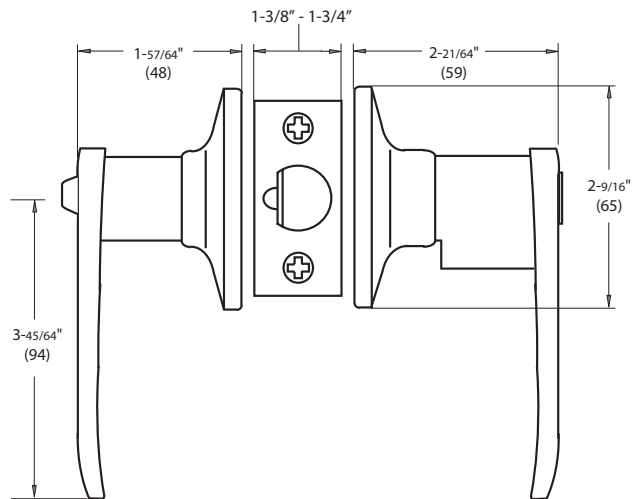


## Specifications

<b>Door Prep</b>	Cross bore: 2-1/8" Edge bore: 1" Latch face: 1" x 2-1/4"	<b>Latches</b> <i>(6-Way Available)</i>	Entrance: 2-3/8" and 2-3/4" 6-way adjustable (9045R) Passage/Privacy: 2-3/8" and 2-3/4" 6-way adjustable (9074) Faceplate: 1" x 2-1/4" round corner Bolt: 1/2" throw
<b>Backset</b>	Fits 2-3/8" and 2-3/4"	<b>Strikes</b>	1-3/4" x 2-1/4" full lip round corner (9103)
<b>Door Thickness</b>	1-3/8" ~ 1-3/4" door standard	<b>Wood Screws</b>	Combination screws that suit both wood or metal door mounting
<b>Cylinder</b>	KW1 5-pin <b>standard</b> SC1 5-Pin optional. Entries packed KA5	<b>Door Handing</b>	Reversible Lever Handing required for dummy function and Handleset interior

## MILTON

Shown in Satin Nickel



## BOX PACK

Model	Function	WT/CTN	CTN QTY		US15 Satin Nickel	US26D Brushed Chrome	US26 Polished Chrome	US12P Tuscany Bronze
500T - MO	Push Button Entrance (Panic Proof)	26 lb	20 Pcs	Item No.	D20520P	D20522P	D20526P	D20527P
501T - MO	Passage	23 lb	20 Pcs	Item No.	D24520	D24522	D24526	D24527
502T - MO	Push Button Privacy (Panic Proof)	24 lb	20 Pcs	Item No.	D22520P	D22522P	D22526P	D22527P
515 - MO	Dummy	15 lb	20 Pcs	Item No.	D25520	D25522	D25526	D25527

1.800.952.4430 | [orders@delaneyhardware.com](mailto:orders@delaneyhardware.com) | [delaneyhardware.com](http://delaneyhardware.com)