




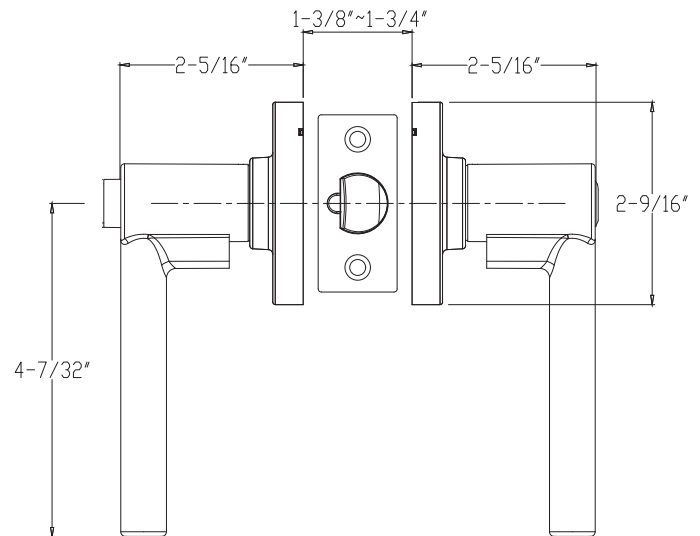
## Specifications

<b>Door Prep</b>	Cross bore: 2-1/8" Edge bore: 1" Latch face: 1" x 2-1/4"	<b>Latches</b> <i>(6-Way Available)</i>	Entrance: 2-3/8" and 2-3/4" 6-way adjustable (9045R) Passage/Privacy: 2-3/8" and 2-3/4" 6-way adjustable (9074) Faceplate: 1" x 2-1/4" round corner Bolt: 1/2" throw
<b>Backset</b>	Fits 2-3/8" and 2-3/4"	<b>Strikes</b>	1-3/4" x 2-1/4" full lip round corner (9103)
<b>Door Thickness</b>	1-3/8" ~ 1-3/4" door standard	<b>Wood Screws</b>	Combination screws that suit both wood or metal door mounting
<b>Cylinder</b>	KW1 5-pin <b>standard</b> SC1 5-Pin optional. Entries packed KA5	<b>Door Handing</b>	Reversible Lever Handing required for dummy function and Handleset interior

## RD LEVER

Shown in Satin Nickel

 ADA Compliant  
Panic Proof Function



## BOX PACK

Model	Function	WT/LB	CTN QTY		US15 Satin Nickel	US26 Polished Chrome	US19 Black
500T-RD	Entrance (Panic Proof)	26 lb	10 Pcs	Item No.	D50501	D50506	D50509
501T-RD	Passage	23 lb	10 Pcs	Item No.	D50511	D50516	D50519
502T-RD	Privacy (Panic Proof)	24 lb	10 Pcs	Item No.	D50521	D50526	D50529
515-RD	Dummy	24 lb	20 Pcs	Item No.	D50551	D50556	D50559