



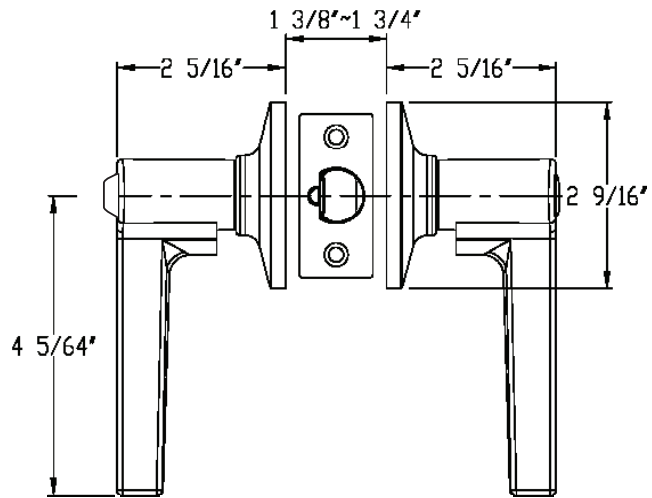
## Specifications

|                       |   |  |   |
|-----------------------|---|--|---|
| <b>Door Prep</b>      | Cross bore: 2-1/8"<br>Edge bore: 1"<br>Latch face: 1" x 2-1/4"      | <b>Latches</b><br><i>(6-Way Available)</i> | Entrance: 2-3/8" and 2-3/4" 6-way adjustable (9045R)<br>Passage/Privacy: 2-3/8" and 2-3/4" 6-way adjustable (9074)<br>Faceplate: 1" x 2-1/4" round corner<br>Bolt: 1/2" throw |
| <b>Backset</b>        | Fits 2-3/8" and 2-3/4"  | <b>Strikes</b>                             | 1-3/4" x 2-1/4" full lip round corner (9103)  |
| <b>Door Thickness</b> | 1-3/8" ~ 1-3/4" door standard                                       | <b>Wood Screws</b>                         | Combination screws that suit both wood or metal door mounting   |
| <b>Cylinder</b>       | KW1 5-pin <b>standard</b><br>SC1 5-Pin optional. Entries packed KA5 | <b>Door Handing</b>                        | Reversible Lever<br>Handing required for dummy function and<br>Handleset interior   |

## TULINA

Shown in Satin Nickel

### TULINA Round Trim



## BOX PACK

| Model            | Function                           | WT/<br>CTN | CTN<br>QTY |          | US15<br>Satin Nickel | US26<br>Polished<br>Chrome | US19<br>Black |
|------------------|------------------------------------|------------|------------|----------|----------------------|----------------------------|---------------|
| 500T-TA<br>Round | Push Button Entrance (Panic Proof) | 26 lb      | 20 Pcs     | Item No. | D20220P              | D20226P                    | D20229P       |
| 501T-TA<br>Round | Passage                            | 23 lb      | 20 Pcs     | Item No. | D24220               | D24226                     | D24229        |
| 502T-TA<br>Round | Push Button Privacy (Panic Proof)  | 24 lb      | 20 Pcs     | Item No. | D22220P              | D22226P                    | D22229P       |
| 515-TA<br>Round  | Dummy                              | 15 lb      | 20 Pcs     | Item No. | D25220               | D25226                     | D25229        |