



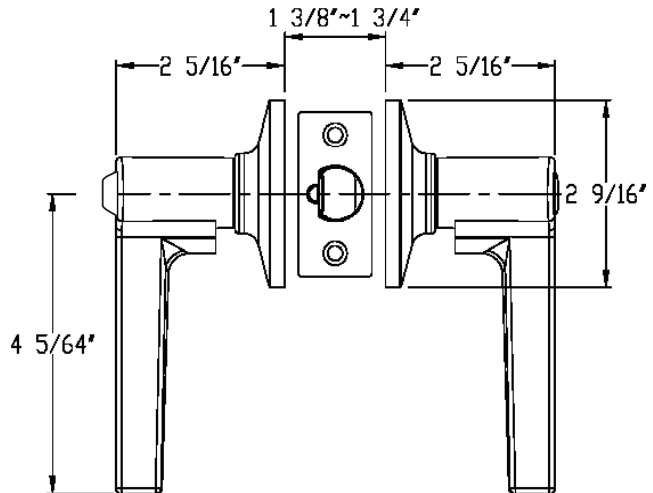
Specifications

Door Prep	Cross bore: 2-1/8" Edge bore: 1" Latch face: 1" x 2-1/4"	Latches (6-Way Available)	Entrance: 2-3/8" and 2-3/4" 6-way adjustable (9045R) Passage/Privacy: 2-3/8" and 2-3/4" 6-way adjustable (9074) Faceplate: 1" x 2-1/4" round corner Bolt: 1/2" throw
Backset	Fits 2-3/8" and 2-3/4"	Strikes	1-3/4" x 2-1/4" full lip round corner (9103)
Door Thickness	1-3/8" ~ 1-3/4" door standard	Wood Screws	Combination screws that suit both wood or metal door mounting
Cylinder	KW1 5-pin standard SC1 5-Pin optional. Entries packed KA5	Door Handing	Reversible Lever Handing required for dummy function and Handleset interior

TULINA

Shown in Satin Nickel

TULINA Square Trim



BOX PACK

Model	Function	WT/ CTN	CTN QTY		US15 Satin Nickel	US26 Polished Chrome	US19 Black
500T-TA Square	Push Button Entrance (Panic Proof)	26 lb	20 Pcs	Item No.	D20220PS	D20226PS	D20229PS
501T-TA Square	Passage	23 lb	20 Pcs	Item No.	D24220S	D24226S	D24229S
502T-TA Square	Push Button Privacy (Panic Proof)	24 lb	20 Pcs	Item No.	D22220PS	D22226PS	D22229PS
515-TA Square	Dummy	15 lb	20 Pcs	Item No.	D25220S	D25226S	D25229S