

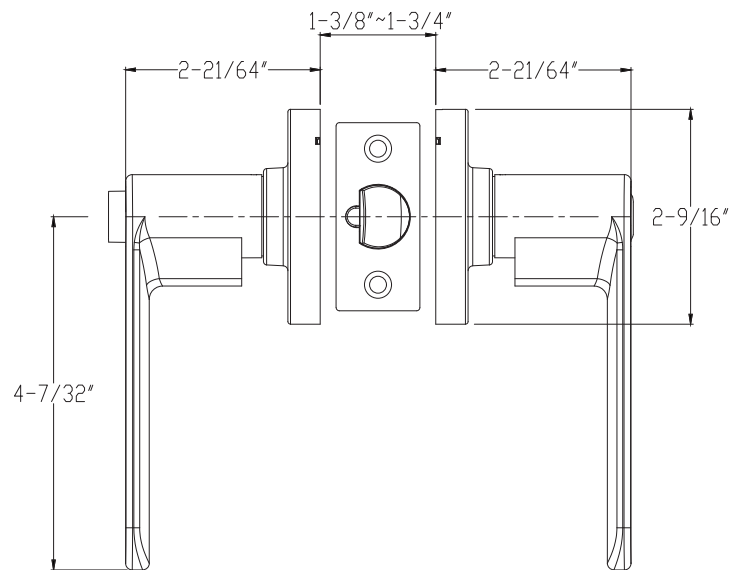
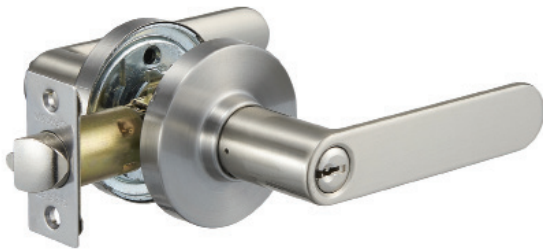


Specifications

Door Prep	Cross bore: 2-1/8" Edge bore: 1" Latch face: 1" x 2-1/4"	Latches <i>(6-Way Available)</i>	Entrance: 2-3/8" and 2-3/4" 6-way adjustable (9045R) Passage/Privacy: 2-3/8" and 2-3/4" 6-way adjustable (9074) Faceplate: 1" x 2-1/4" round corner Bolt: 1/2" throw
Backset	Fits 2-3/8" and 2-3/4"	Strikes	1-3/4" x 2-1/4" full lip round corner (9103)
Door Thickness	1-3/8" ~ 1-3/4" door standard	Wood Screws	Combination screws that suit both wood or metal door mounting
Cylinder	KW1 5-pin standard SC1 5-Pin optional. Entries packed KA5	Door Handing	Reversible Lever Handing required for dummy function and Handleset interior

VL LEVER

Shown in Satin Nickel



BOX PACK

Model	Function	WT/LB	CTN QTY	US15 Satin Nickel
500T-VL	Entrance (Panic Proof)	23 lb	10 Pcs	Item No. D54501
501T-VL	Passage	23 lb	10 Pcs	Item No. D54511
502T-VL	Privacy (Panic Proof)	24 lb	10 Pcs	Item No. D54521
515T-VL	Dummy	23 lb	10 Pcs	Item No. D54551