

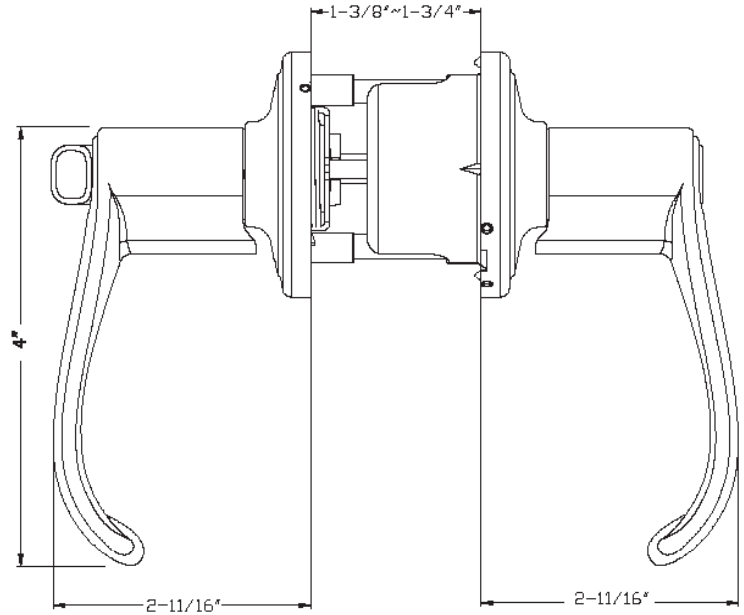


## Specifications

<b>Door Prep</b>	Cross bore: 2-1/8" Edge bore: 1" Latch face: 1" x 2-1/4"	<b>Latches</b>	Entrance: 2-3/8" and 2-3/4" 6-way adjustable Passage/Privacy: 2-3/8" and 2-3/4" 6-way adjustable Faceplate: 1" x 2-1/4" round corner Bolt: 1/2" throw
<b>Backset</b>	Fits 2-3/8" and 2-3/4"	<b>Strikes</b>	1-3/4" x 2-1/4" full lip round corner (9103)
<b>Door Thickness</b>	1-3/8" ~ 1-3/4" door standard	<b>Wood Screws</b>	Combination screws that suit both wood or metal door mounting
<b>Cylinder</b>	SC1 5-pin standard. Entries packed KA4 KW1 5-pin optional	<b>Grade 2 Features</b>	Concealed screws, Panic Proof, UL Rated, Full Protection Collar (as shown in line drawing)
<b>Door Handing</b>	Reversible Lever Handing required for dummy function and Handleset interior		

## VONCET

Shown in Satin Nickel



## VISUAL BOX PACK

Model	Function	WT/ CTN	CTN QTY	US15 Satin Nickel
500TT-VT-GR2	Entrance	24 lb	12 Pcs	Item No. 320420
501TT-VT-GR2	Passage	24 lb	12 Pcs	Item No. 324420
502TT-VT-GR2	Privacy	24 lb	12 Pcs	Item No. 322420
515TT-VT-GR2	Dummy (Pair)	22 lb	12 Pair	Item No. 325420