



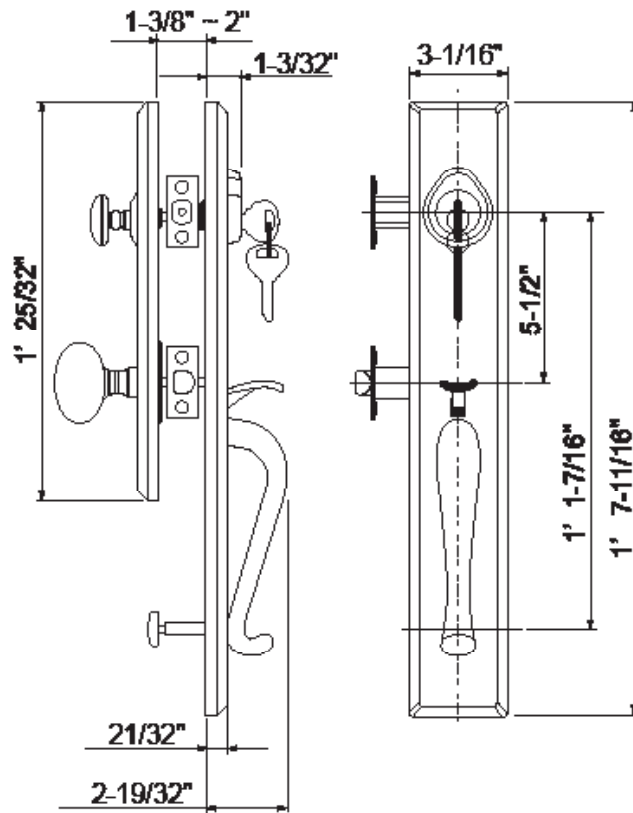
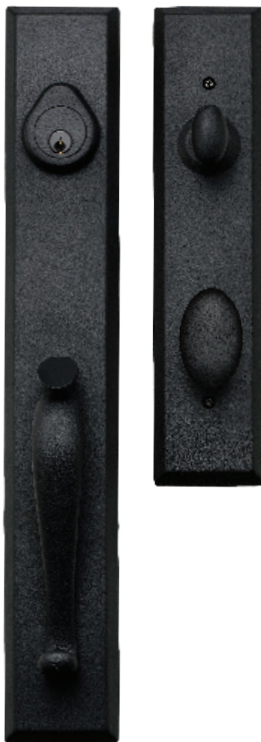
SANDCAST COLLECTION

Specifications

Door Prep	Deadbolt cross bore: 2-1/8" Handleset cross bore: 2-1/8" Edge bore: 1" Latch Face: 1" x 2-1/4" Mounting (center to center) 5-1/2"	Latches	Deadbolt: 2-3/8 and 2-3/4 adjustable (9092) Faceplate: 1" x 2-1/4" round corner Bolt: Brass with hardened steel rod, full 1" throw Handle: 2-3/8" & 2-3/4" adjustable (9079R) Faceplate: 1" x 2-1/4" round corner Bolt: 1/2" Solid Brass throw
Backset	Fits 2-3/8" and 2-3/4"	Strikes	Deadbolt: Full lip round corner (9117 & 9113) Handle: Full lip round corner (9103)
Door Thickness	1-3/8" ~ 2" door standard, 2-1/4" Ext. Kit Available		
Cylinder	SC4 6-pin standard. KW1 5-Pin Optional. SC1 5-Pin Optional. Handlesets packed KD	Wood Screws	Combination screws that suit both wood or metal door mounting Includes 3" Security Screws
Interconnected	600-Single Cylinder Handleset only	Door Handing	Specify handing when ordering lever as Interior option

CORDOBA

Shown in Aged Black



*Split Finish Available -
Handlesets Only

Model	Function	WT/CTN	CTN QTY		ABR Aged Bronze	ABK Aged Black
600-CD	Single Cylinder	29 lb	2 Pcs	Item No.	660500	660509
605-CD	Dummy	29 lb	2 Pcs	Item No.	661500	661509