



# SANDCAST COLLECTION

## Specifications

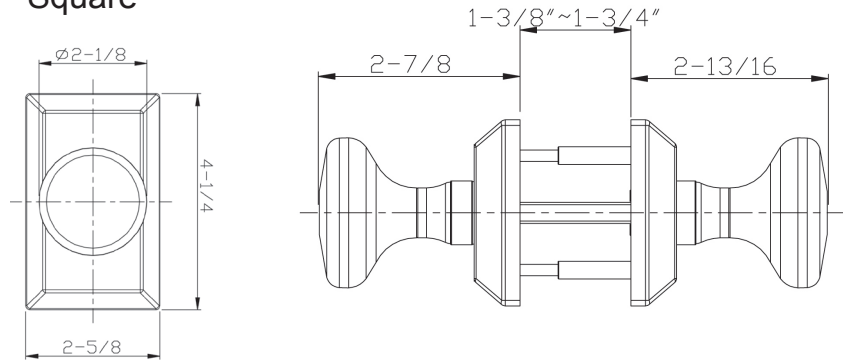
<b>Door Prep</b>	Cross bore: 2-1/8" Edge bore: 1" Latch face: 1" x 2-1/4"	<b>Latches</b>	Entrance: 2-3/8" & 2-3/4" adjustable (9050R) Passage/Privacy: 2-3/8" & 2-3/4" adjustable (9079R) Faceplate: 1" x 2-1/4" round corner Bolt: 1/2" Solid Brass throw
<b>Backset</b>	Fits 2-3/8" and 2-3/4"	<b>Strikes</b>	1-3/4" x 2-1/4" full lip round corner (9103)
<b>Door Thickness</b>	1-3/8" ~ 1-3/4" door standard.	<b>Wood Screws</b>	Combination screws that suit both wood or metal door mounting
Cylinder SC4 6-pin standard. KW1 5-Pin Optional. SC1 5-Pin Optional. Entries packed KA4			

## TULUM

Shown in Aged Black



Square



Model	Function	WT/CTN	CTN QTY	Item No.	ABR	ABK
					Aged Bronze	Aged Black
					SQUARE	SQUARE
100T-TU	Entrance	21 lb	4 Pcs	Item No.	681500S	681509S
101T-TU	Passage	31 lb	6 Pcs	Item No.	6814500S	684509S
102T-TU	Privacy	31 lb	6 Pcs	Item No.	682500S	682509S
115T-TU	Dummy	31 lb	6 Pcs	Item No.	685500S	685509S